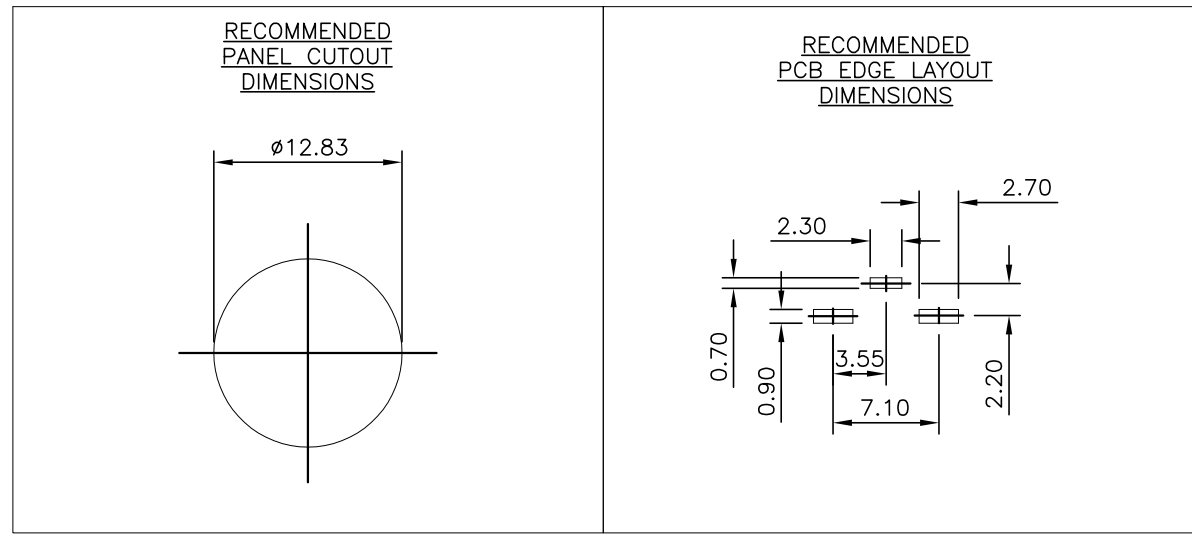
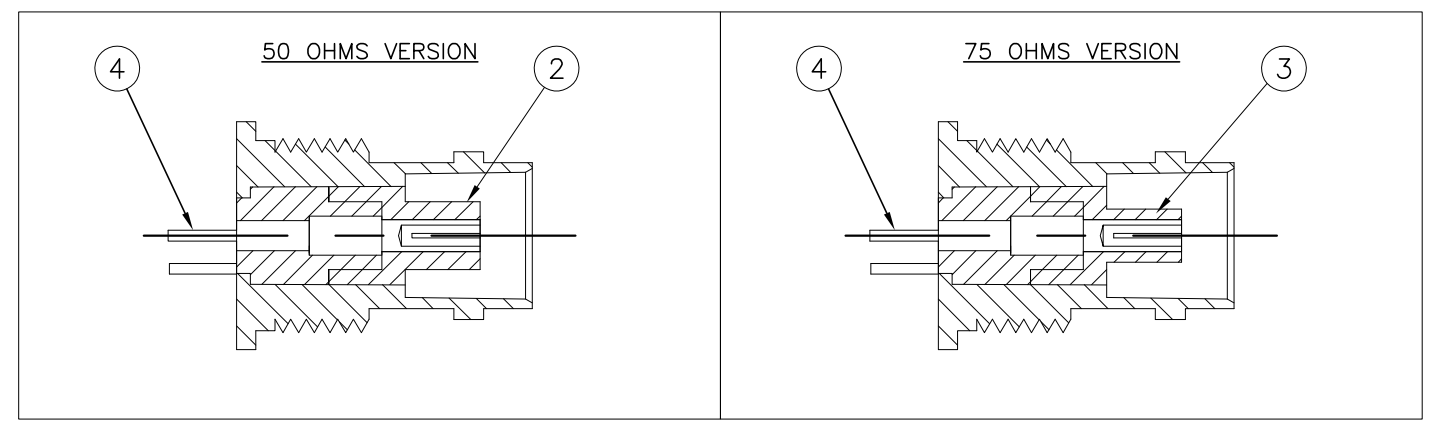
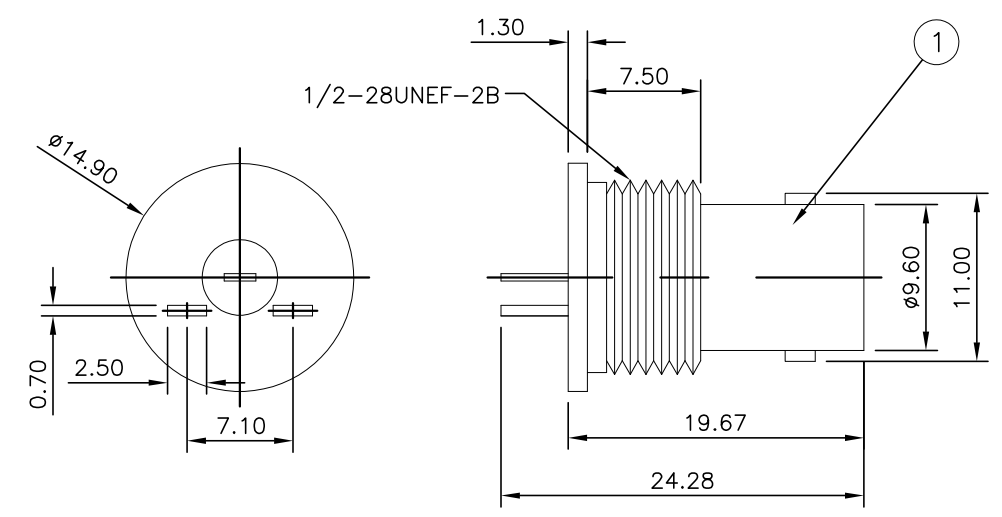


THIS DRAWING IS UNPUBLISHED. RELEASED FOR PUBLICATION MAR ,2006.
 © COPYRIGHT 2006 BY TYCO ELECTRONICS CORPORATION. ALL RIGHTS RESERVED.

LOC	DIST	REVISIONS					
E	B	P	LTR	DESCRIPTION	DATE	DWN	APVD
		B		ECO-08-027612	06NOV08	RITA	BOB

- NOTES**
- 1 100 TRAY PACK IN ACCORDANCE WITH AMP SPEC 107-3275
 - 2 SINGLE PACK IN ACCORDANCE WITH AMP SPEC 107-3275
 - 3 Au PLATING
 - 4 Ni PLATING
- 5 **CHARACTERISTICS**
 FREQUENCY RANGE (50 OHMS): DC-4GHz
 FREQUENCY RANGE (75 OHMS): DC-2GHz
 INSULATION RESISTANCE: 5000 MOHMS
 WORKING VOLTAGE: 500V
 DIELECTRIC WITHSTAND VOLTAGE: 1500V RMS
 TEMPERATURE RATE: -55°C TO +85°C
 CONTACT RESISTANCE: 3 mOHMS
- 6 **MECHANICAL CHARACTERISTICS**
 DURABILITY: 50 CYCLES
- 7 FOR TECHNICAL DATA REFER TO YOUR LOCAL TYCO ELECTRONICS SALES OFFICE
- 8 ALL DIMENSIONS ARE NOMINAL FOR REFERENCE ONLY UNLESS OTHERWISE STATED



QTY	1	1	1	1	MATERIAL	DESCRIPTION	ITEM
	1	1	-	-	PHOS BRONZE	CONTACT	4
	1	1	-	-	POLYMETHYLPENTENE	INSULATOR	3
	-	-	1	1	POLYMETHYLPENTENE	INSULATOR	2
	1	1	1	1	ZINC ALLOY	BODY	1
	5--3	5--2	5--1	5--0			
	2	1	2	1			

THIS DRAWING IS B CONTROLLED DOCUMENT.

DWN J.SANDWELL 20MAR06
 CHK S.PARLOW 20MAR06
 APVD F.WHEELER-KING 20MAR06

Tyco Electronics Tyco Electronics Corporation
 Kunshan, Jiangsu, PRC215312

NAME: BNC BULKHEAD SOCKET EDGE MOUNT

PRODUCT SPEC: -
 APPLICATION SPEC: -
 WEIGHT: -

SIZE: A3 CAGE CODE: 00779 DRAWING NO: C-1634521 RESTRICTED TO: -

CUSTOMER DRAWING SCALE: NTS SHEET: 1 OF 1 REV: B